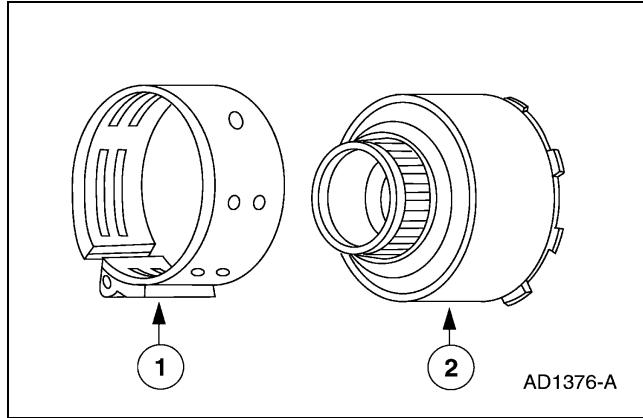


DESCRIPTION AND OPERATION

Apply Components

There are eight apply components used to drive or hold the planetary gearset components.

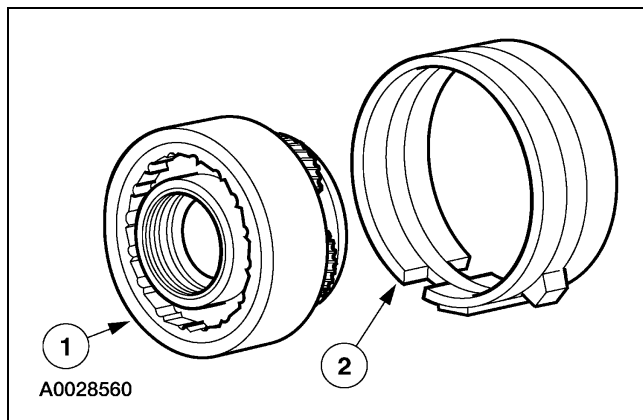
Band—Overdrive



Item	Part Number	Description
1	7F196	Overdrive band assembly
2	7D044	Reverse clutch drum assembly

The overdrive band holds the reverse clutch drum stationary in fourth gear and manual 2. This action causes the reverse sun gear to be held in these ranges.

Band—Low and Reverse

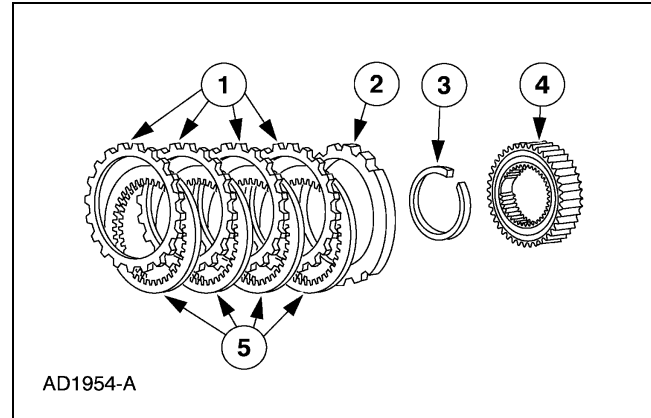


Item	Part Number	Description
1	7A398	Planetary assembly
2	7D095	Reverse band assembly

The low and reverse band holds the pinion carrier in reverse. The reverse band also applies in manual 1 position to provide engine braking.

Clutch—Intermediate

Intermediate Clutch Disassembled View

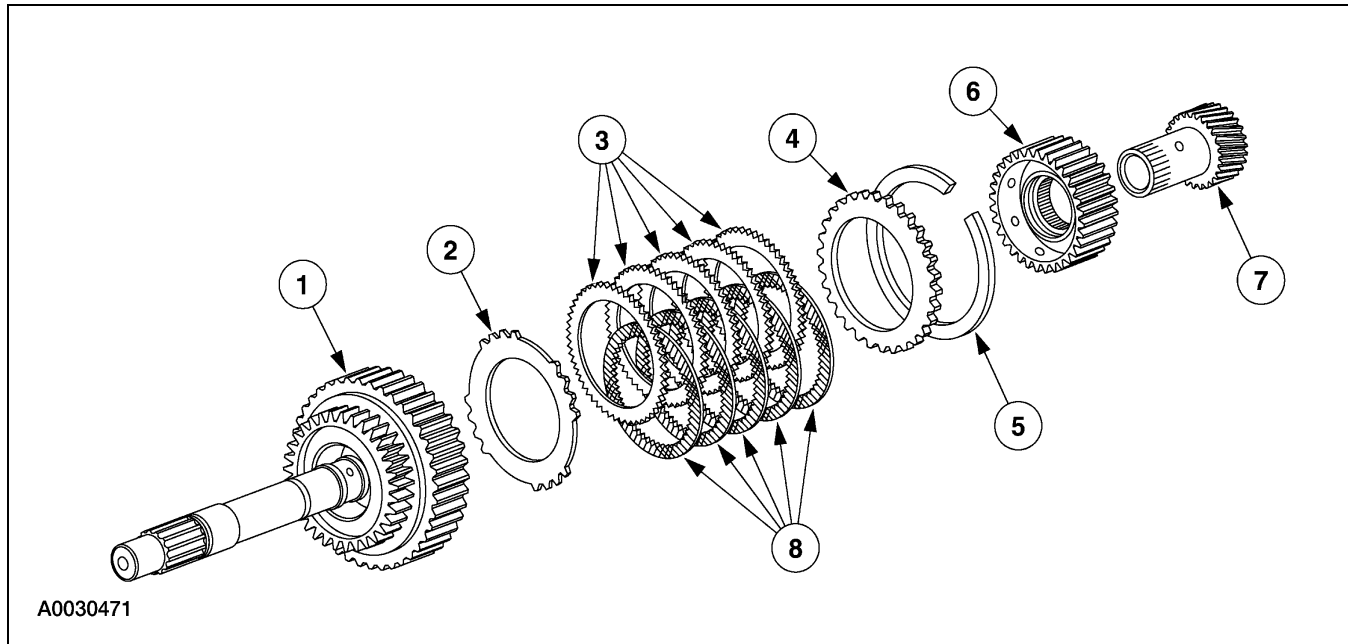


Item	Part Number	Description
1	7B442	Intermediate clutch plates (steel)
2	7B066	Intermediate clutch pressure plate
3	391267-S	Retaining ring
4	7A089	Intermediate one-way clutch assembly
5	7B164	Intermediate clutch plates (friction)

The intermediate clutch works with the intermediate one-way clutch to hold the reverse sun gear stationary in second gear. The intermediate clutch remains applied in third and fourth gears, but does not transmit power.

DESCRIPTION AND OPERATION (Continued)

Clutch—Forward



Item	Part Number	Description
1	7F207	Forward clutch cylinder and input shaft assembly
2	7E085	Rear clutch pressure plate spring
3	7B442	Forward clutch plate external spline (steel)
4	7B066	Forward clutch pressure plate
5	7D483	Snap ring — retaining (select fit)

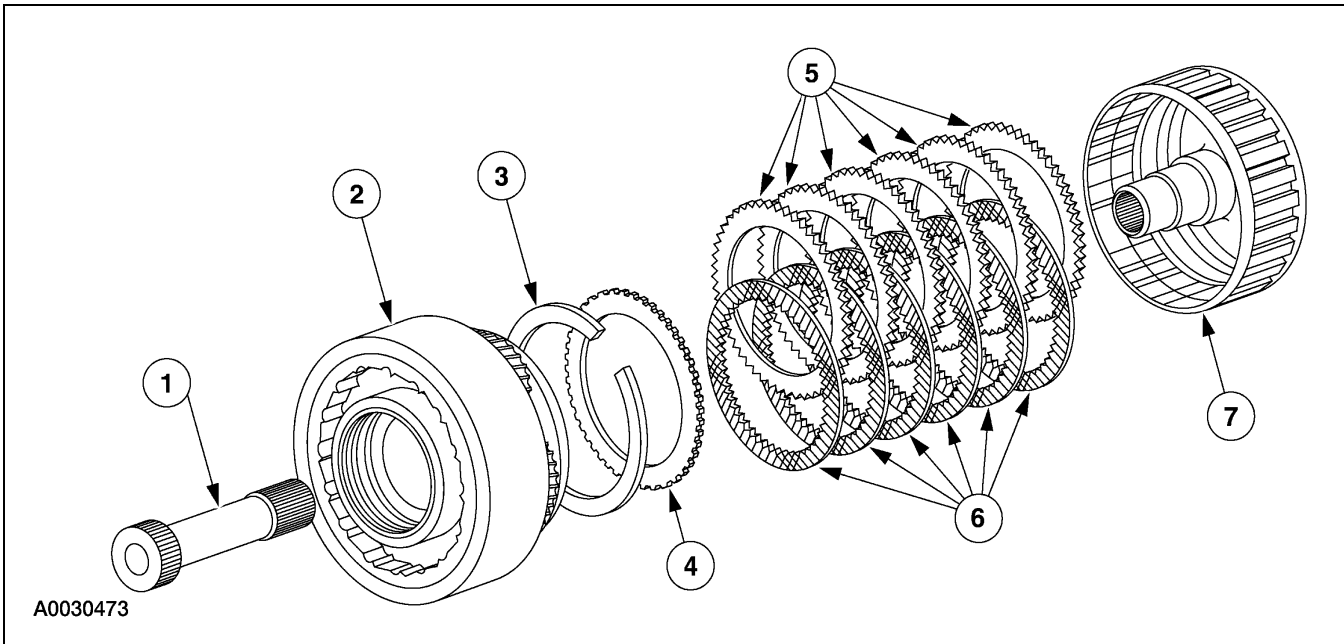
(Continued)

Item	Part Number	Description
6	7B067	Forward clutch hub
7	7A399	Forward clutch sun gear assembly
8	7B164	Forward clutch plate internal spline (friction)

The forward clutch couples the forward clutch cylinder and input shaft to the forward sun gear in first, second, and third gears. The forward clutch is not applied in fourth gear.

DESCRIPTION AND OPERATION (Continued)

Clutch—Direct



A0030473

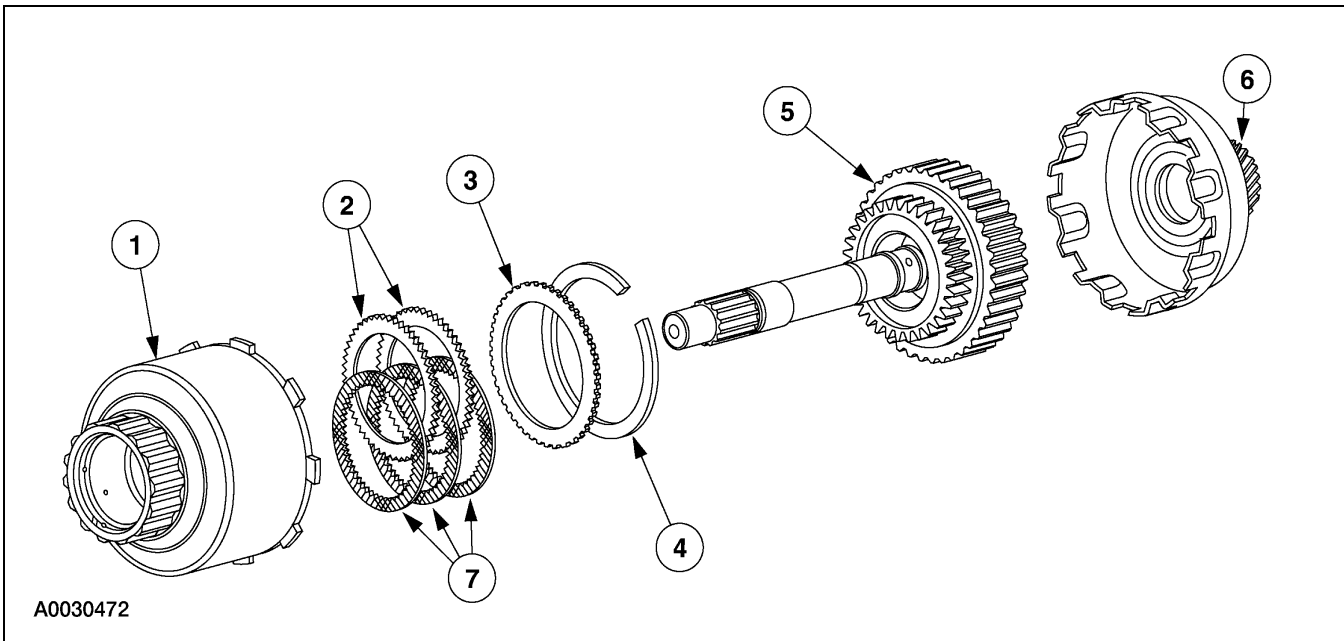
Item	Part Number	Description
1	7F351	Intermediate stub shaft
2	7A398	Planetary assembly
3	7D483	Direct clutch pressure plate retaining ring (select fit)
4	7B066	Direct clutch pressure plate
5	7B442	Direct clutch plates external splined (steel)

Item	Part Number	Description
6	7B164	Direct clutch plates internal splined (friction)
7	7F283	Direct clutch cylinder assembly

The direct clutch couples the input shaft to the planet carrier through the stub shaft in third and fourth gears.

(Continued)

Clutch—Reverse



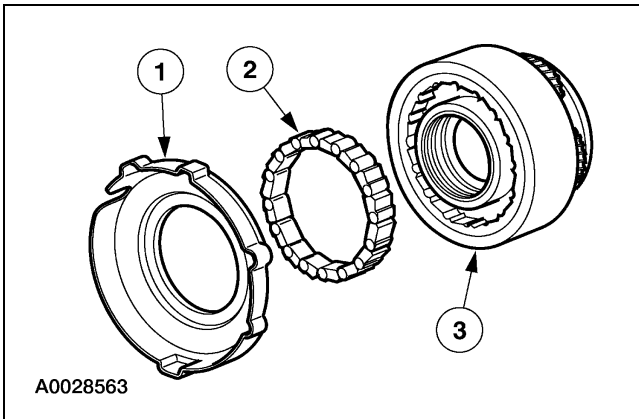
A0030472

DESCRIPTION AND OPERATION (Continued)

Item	Part Number	Description
1	7D044	Reverse clutch drum assembly
2	7B442	Reverse clutch plate external splined (steel)
3	7B066	Reverse clutch pressure plate (rear)
4	7D483	Reverse clutch pressure plate retaining ring (select fit)
5	7F207	Forward clutch cylinder and input shaft assembly
6	7A019	Reverse clutch sun gear assembly
7	7B164	Reverse clutch plate internal splined (friction)

The reverse clutch couples the input shaft to the reverse sun gear, applied in reverse range only.

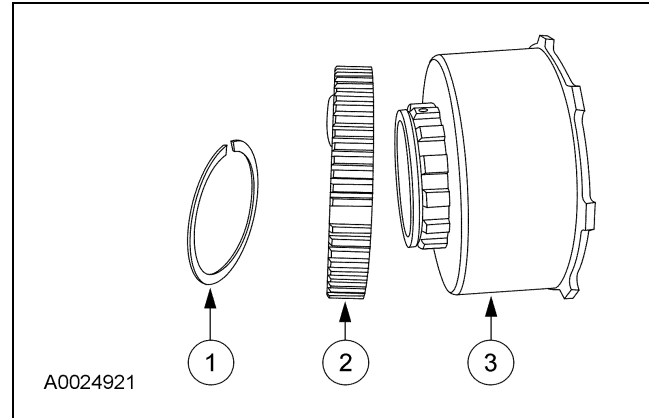
One-Way Clutch—Planetary (Low)



Item	Part Number	Description
1	7A130	Planetary gear support assembly
2	7A089	Planetary one-way clutch cage and spring roller assembly
3	7A398	Planetary assembly

The planetary (low) one-way clutch is a roller clutch that holds the planetary gearset in first gear, (D) and D ranges. During automatic coasting downshifts into first gear ((D) and D ranges), the planetary one-way clutch freewheels so there is no engine braking.

One-Way Clutch—Intermediate



Item	Part Number	Description
1	391267-S	Retaining ring
2	7A089	Intermediate one-way clutch assembly
3	7D044	Reverse clutch drum assembly

The intermediate one-way clutch works with the intermediate friction clutch to hold the reverse clutch drum and reverse sun gear stationary in second gear during acceleration. The intermediate one-way clutch freewheels in third gear and during coasting in second gear, (D) and D ranges.