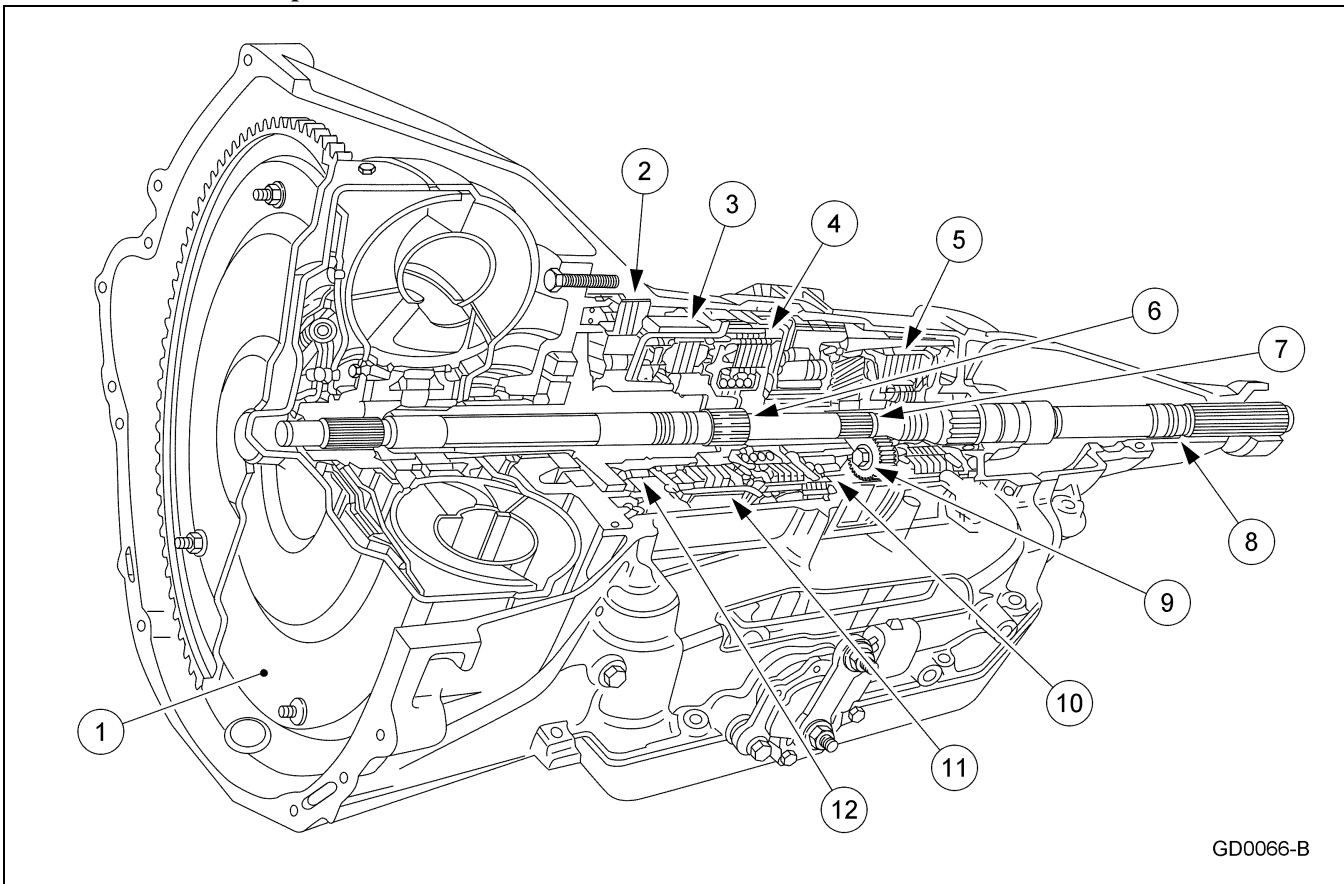


DESCRIPTION AND OPERATION

Main Components and Functions

Transmission Main Components — Sectional View



GD0066-B

Item	Part Number	Description
1	7902	Torque converter
2	7B164	Intermediate clutch (friction)
3	7B164	Reverse clutch (friction)
4	7B164	Forward clutch (friction)
5	7B164	Direct clutch (friction)
6	7F207	Forward clutch cylinder and shaft

Item	Part Number	Description
7	7F351	Shaft — intermediate stub
8	7060	Output shaft
9	7A089	Planetary one-way clutch
10	7D095	Reverse clutch band
11	7F196	Overdrive band
12	7A089	Intermediate one-way clutch

(Continued)